

Mast and Chain Guide Bearings Intro

Fork lift trucks are employed in almost every manufacturing and shipping facility where lifting or movement of materials is required. An essential part of a fork lift truck is the channeled lift structure which is commonly called the mast. Ball bearings are a basic part of the mast as they guide and retain the forks in the vertical channels. Chain Sheave roller bearings which facilitate the lifting and lowering of the mast are also an important part of the entire upright system.

Fork lift trucks handle loads ranging from light, bulky material to heavy loads in excess of 4,000 pounds. Mast Guide bearings are specifically designed to withstand the heavy radial loads required in this type of application. Mast Guide bearings have heavy section outer rings which serve as rollers, or guides for the carriage in the mast channels. The configuration of the outer ring is designed to fit the contour of the mast channel. In some cases, the lift truck manufacturer provides a sleeve for a replacement double row bearing. Some of these bearings have outer rings which are cracked allowing the insertion of extra balls, greatly increasing load capacity.

In conjunction with the heavy radial loads experienced, thrust loading is also present which tends to cause misalignment. The internal construction of Mast Guide bearings resists misalignment of the outer ring. All Mast Guide and Chain Sheave bearings are sealed and factory lubricated with a water resistant grease to prevent contamination of the balls, rollers and raceways.

NTN-BCA® manufactures a number of mast guide bearing sizes. Most are basic single and double row construction.

These bearings feature:

Hardened, heavy outer ring specifically designed for maximum impact and wear resistance.

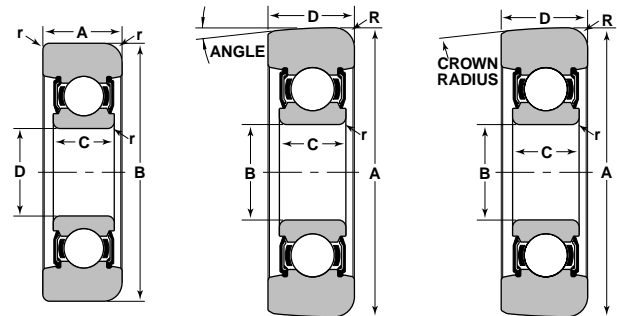
Precision ground, deep groove ball tracks designed for maximum resistance to misalignment and overturning moments.

Positive contact, flexible rubber lip seals to prevent contaminants from entering the raceways.

Water resistant, premium quality grease to insure maximum bearing life and prevent raceway deterioration.

Special Mast Guide bearings profiles and ball complements are designed to meet specific customer requirements. Inner and outer ring profiles and dimensional information can be found in the following pages. Mast Guide and Chain Guide bearings are listed by both style and bore size.

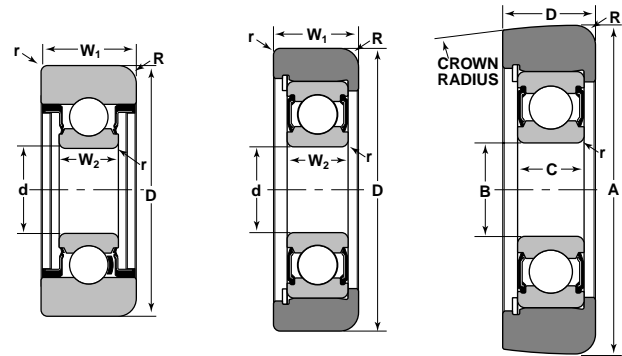
NTN-BCA® Mast Guide Bearings are available in 24 styles.



STYLE 1

STYLE 1A

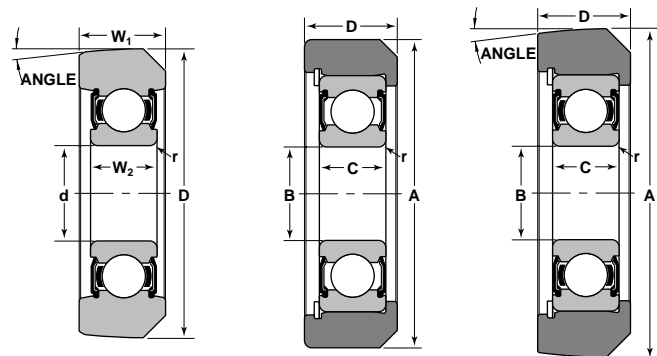
STYLE 1B



STYLE 1C

STYLE 2

STYLE 2A

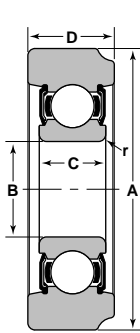


STYLE 3

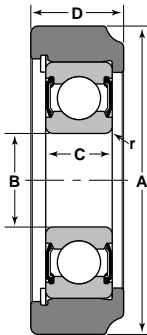
STYLE 4

STYLE 4A

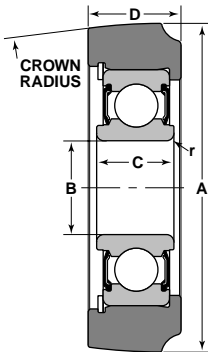
Mast and Chain Guide Bearings Intro



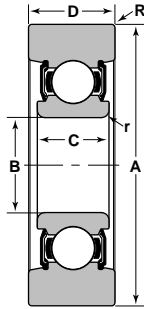
STYLE 5



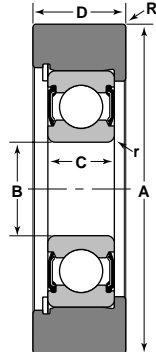
STYLE 6



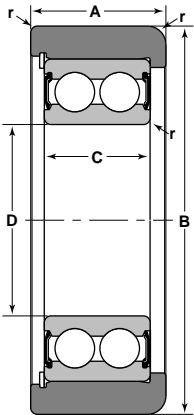
STYLE 6A



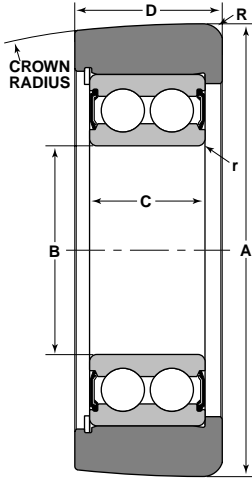
STYLE 7



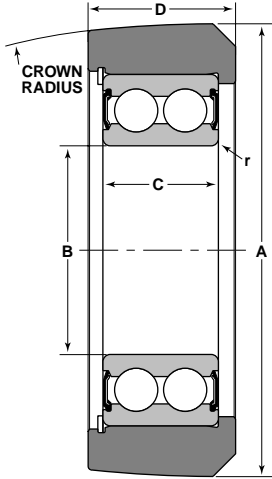
STYLE 8



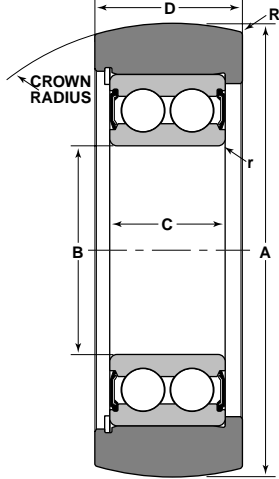
STYLE 9



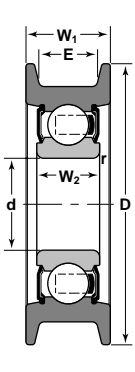
STYLE 9A



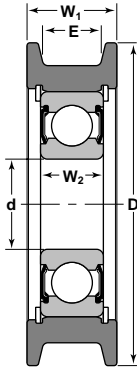
STYLE 10



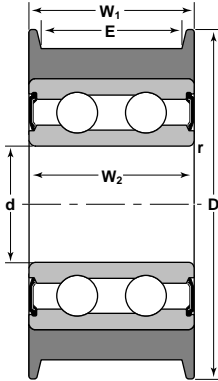
STYLE 11



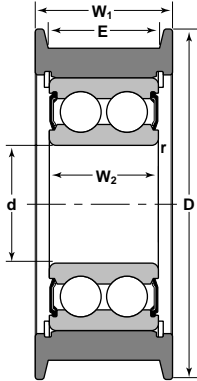
STYLE 12



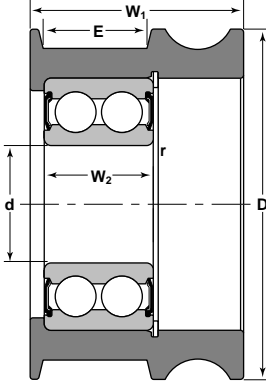
STYLE 12A



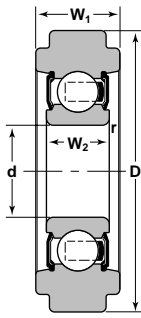
STYLE 13



STYLE 13A

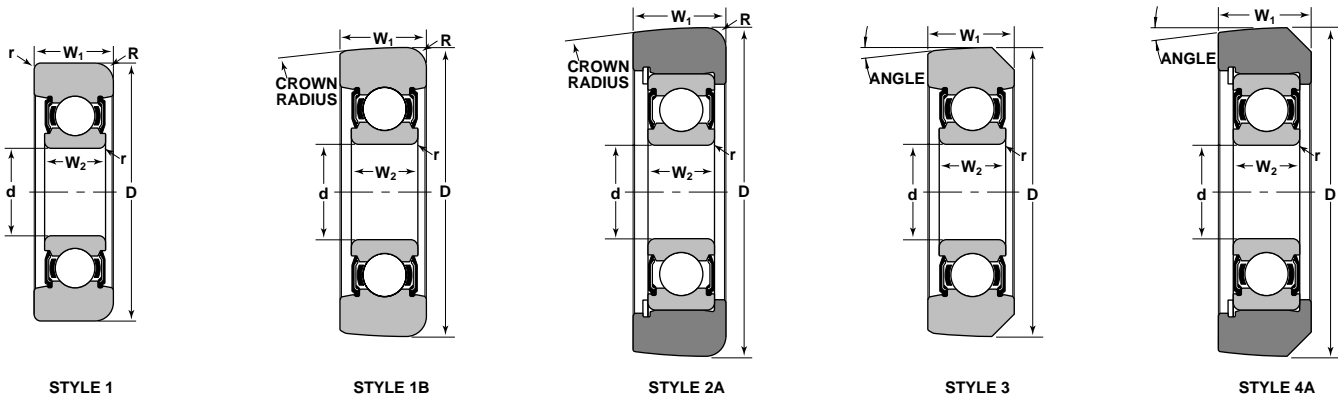


STYLE 13B



STYLE 14

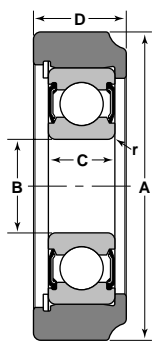
Mast Guide Bearing Styles and Dimensions by Bore Size



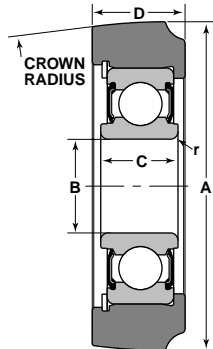
Bearing Number	Style	Bore	Outside Diameter	Inner Ring	Outer Ring	Radius	Fillet	Basic Load Ratings	
		d	D	W ₂	W ₁	R	r \ominus	Dynamic C	Static C ₀
		Inch/mm					Inches		lbs/N
§ MG-205-FF	1	.9843 25	2.5630	.5890 —	.8380	.2460	.0590	3150 14010	1760 7830
MG-305-DD	1	.9843 25	3.0000	.6693 17	1.0000	.3000	.0400	4610 20510	2500 11120
MG-305-DDB	1B	.9843 25	3.0000	.6693 17	1.0000	.2500	.0400	4610 20510	2500 11120
§ MG-305-DDE	1	.9843 25	3.1320	.6680 —	.9450	.2360	.0980	4610 20510	2500 11120
MG-305-DDA	1	1.0000 —	2.9370	.6693 17	1.0000	.3300	.0400	4610 20510	2500 11120
MG-206-FF	3	1.1811 30	3.235	.7712 —	1.0000	—	.0400	4380 19490	2530 11255
MG-206-FFB	1	1.1811 30	3.000	.6299 —	1.062	.0625	.0400	4380 19490	2530 11255
MG-206-FFE	1	1.1811 30	3.000	.6299 —	1.125	.0625	.0400	4380 19490	2530 11255
MG-206-FFA	3	1.1811 30	3.2000	.7712 —	1.0000	—	.0400	4380 19490	2530 11255
MG-206-FFH	2A	1.1811 30	3.1300	.6530 —	1.1250	.2500	.0400	6150 27360	4240 18860
§ MG-206-FFHA	2A	1.1811 30	3.1300	.6530 —	1.1250	.2500	.0400	6150 27360	4240 18860
MG-206-FFK	2A	1.1811 30	3.4000	.6530 —	1.1250	.2500	.0400	6150 27360	4240 18860
§ MG-206-FFKA	2A	1.1811 30	3.4000	.6530 —	1.1250	.2500	.0400	6150 27360	4240 18860
MG-206-FFM	4A	1.1811 30	3.2000	.7712 —	1.0000	—	.0400	6150 27360	4240 18860
MG-206-FFP	2A	1.1811 30	3.4700	.6530 —	1.1520	.2360	.0400	6150 27360	4240 18860
MG-206-FFPA	2A	1.1811 30	3.4855	.6530 —	1.1520	.2360	.0400	6150 27360	4240 18860
MG-206-FFPB	2A	1.1811 30	3.5055	.6530 —	1.1520	.2360	.0400	6150 27360	4240 18860
MG-206-FFU	2A	1.1811 30	3.1940	.6530 —	1.1520	.2360	.0400	6150 27360	4240 18860
§ MG-206-FFUA	2A	1.1811 30	3.2140	.6530 —	1.1520	.2360	.0400	6150 27360	4240 18860
§ MG-206-FFUB	2A	1.1811 30	3.2340	.6530 —	1.1520	.2360	.0400	6150 27360	4240 18860
§ MG-206-FFW	2A	1.1811 30	3.4140	.6530 —	1.1250	.1900	.0400	6150 27360	4240 18860

⊖ BEARING CORNER RADII WILL CLEAR MAXIMUM FILLET RADIUS SHOWN.
 § NOT NECESSARILY A STOCK ITEM – CHECK FOR AVAILABILITY

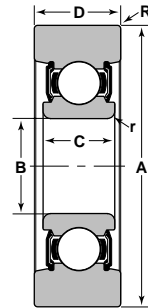
Mast Guide Bearing Styles and Dimensions by Bore Size Continued



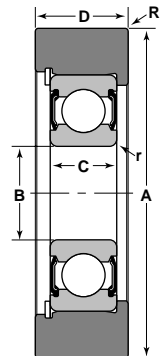
STYLE 6



STYLE 6A



STYLE 7



STYLE 8

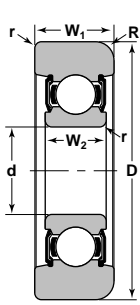
Bearing Number	Style	Bore	Outside Diameter	Inner Ring	Outer Ring	Radius	Fillet	Basic Load Ratings	
		d	D	W ₂	W ₁	R	r ⓐ	Dynamic C	Static C ₀
		Inch/mm				Inches		lbs/N	
§ MG-206-FFWA	2A	1.1811 30	3.4440	.6530 —	1.1250	.1900	.0400	6150 27360	4240 18860
§ MG-206-FFWB	2A	1.1811 30	3.4740	.6530 —	1.1250	.1900	.0400	6150 27360	4240 18860
§ MG-206-FFZ	2A	1.1811 30	3.1390	.6530 —	1.1250	.1900	.0400	6150 27360	4240 18860
§ MG-206-FFZA	2A	1.1811 30	3.1690	.6530 —	1.1250	.1900	.0400	6150 27360	4240 18860
§ MG-206-FFZB	2A	1.1811 30	3.1990	.6530 —	1.1250	.1900	.0400	6150 27360	4240 18860
§ MG-306-FF	1	1.1811 30	3.5000	.7480 19	1.0000	.3750	.0400	5980 26600	3350 14900
§ MG-306-FFB	1	1.1811 30	3.2500	.7480 19	1.0620	.3430	.0400	5980 26600	3350 14900
MG-207-FFA	8	1.3780 35	3.2230	.6743 —	1.0670	.1250	.0400	8750 38930	6020 26780
MG-207-FFB	7	1.3780 35	3.4800	.6693 17	1.2550	.0625	.0400	5770 25670	3440 15300
MG-207-FFH	6A	1.3780 35	2.5920	.8268 21	1.2550	—	.0400	8750 38930	6020 26780
MG-207-FFJ	6A	1.3780 35	3.5920	.7874 20	1.2550	—	.0400	8750 38930	6020 26780
§ MG-207-FFJA	2A	1.3780 35	3.6190	.7860 —	1.2550	.3100	.0400	8750 38930	6020 26780
§ MG-207-FFJBⓐ	1	1.3780 35	3.7250	.6693ⓐ 17	.9960	.3120	.0400	5770 25670	3440 15300
MG-207-FFK	6A	1.3780 35	4.3820	.8268 21	1.1920	—	.0400	8750 38930	6020 26780
MG-207-FFM	6	1.3780 35	3.9910	.8268 21	1.1250	—	.0400	8750 38930	6020 26780
MG-207-FFQ	6A	1.3780 35	4.3730	.7874 20	1.1920	—	.0400	8750 38930	6020 26780
§ MG-207-FFQA	2A	1.3780 35	4.3730	.7860 —	1.1920	.3100	.0400	8750 38930	6020 26780
§ MG-207-FFQB	2A	1.3780 35	3.9620	.7874 20	1.1920	—	.0400	8750 38930	6020 26780
MG-207-FFQC	6A	1.3780 35	4.9720	.7874 20	1.1870	—	.0400	8750 38930	6020 26780
MG-207-FFQH	2A	1.3780 35	4.3780	.7874 20	1.1850	.3100	.0400	8750 38930	6020 26780
MG-207-FFQJ	2A	1.3780 35	4.3790	.7874 20	1.1850	.3100	.0400	8750 38930	6020 26780

ⓐ BEARING CORNER RADII WILL CLEAR MAXIMUM FILLET RADIUS SHOWN.

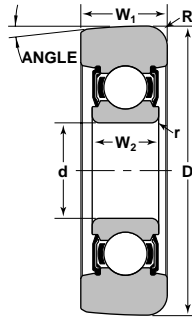
ⓑ NYLON RETAINER.

§ NOT NECESSARILY A STOCK ITEM – CHECK FOR AVAILABILITY

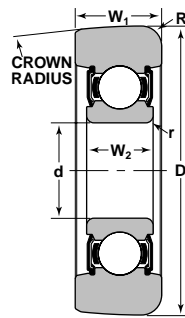
Mast Guide Bearing Styles and Dimensions by Bore Size Continued



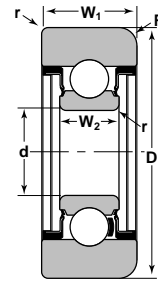
STYLE 1



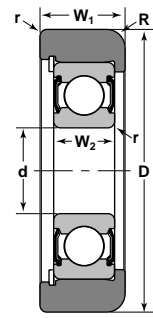
STYLE 1A



STYLE 1B



STYLE 1C



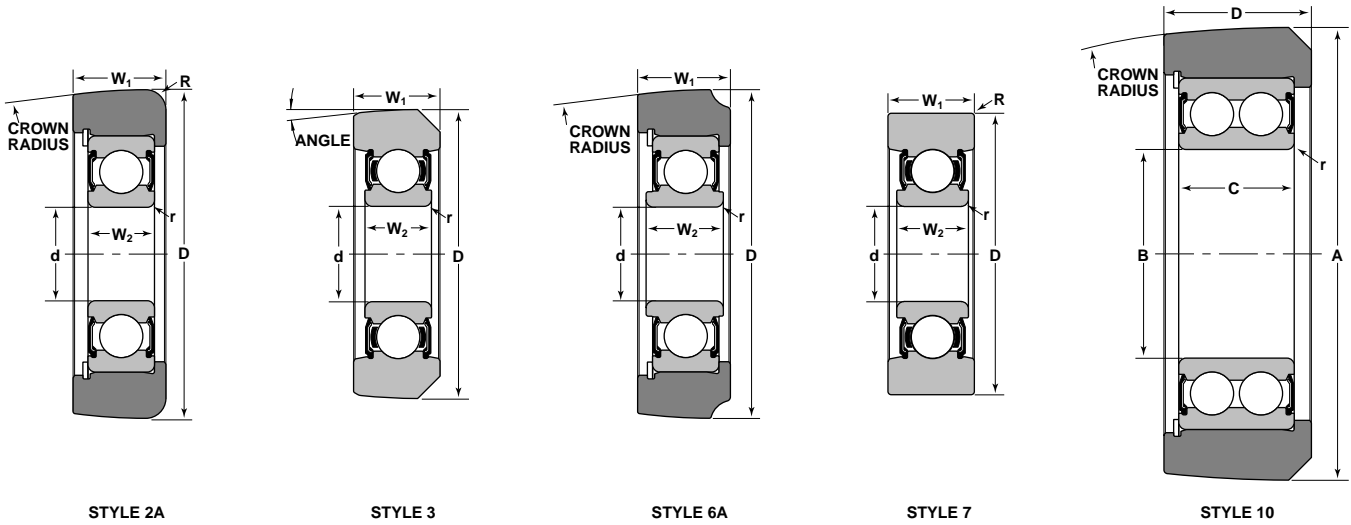
STYLE 2

Bearing Number	Style	Bore	Outside Diameter	Inner Ring	Outer Ring	Radius	Fillet	Basic Load Ratings	
		d	D	W ₂	W ₁	R	r \ominus	Dynamic C	Static C ₀
		Inch/mm				Inches		lbs/N	
MG-207-FFQM	2A	1.3780 35	4.3910	.7874 20	1.1850	.3100	.0400	8750 38930	6020 26780
§ MG-207-FFU	6A	1.3780 35	4.3820	.7874 20	1.1920	—	.0400	8750 38930	6020 26780
MG-207-FFUA	2A	1.3780 35	3.6170	.7874 20	1.2250	.3100	.0400	8750 38930	6020 26780
MG-207-FFUB	2A	1.3780 35	3.6090	.7874 20	1.2250	.3100	.0400	8750 38930	6020 26780
MG-207-FFWA	2A	1.3780 35	3.223	.7874 20	1.2250	.3100	.0400	8750 38930	6020 26780
MG-307-FFA	1	1.3780 35	4.0000	.8268 21	1.1250	.3750	.0590	7490 33330	4300 19130
MG-307-FFB	7	1.3780 35	3.9800	.8268 21	1.2550	.1250	.0600	7490 33330	4300 19130
MG-307-FFE	5	1.3780 35	3.9900	.8268 21	1.1250	—	.0600	7490 33330	4300 19130
MG-307-FFH	1	1.3780 35	3.9900	.8268 21	1.1250	.3700	.0600	7490 33330	4300 19130
§ MG-307-FFHA	1	1.3780 35	4.0150	.8268 21	1.1250	.3750	.0590	7490 33330	4300 19130
§ MG-307-FFJ	1	1.3780 35	3.7250	.8268 21	1.0000	.3750	.0600	8290 36890	4580 20380
MG-307-FFK	1	1.3780 35	3.7250	.8268 21	1.0000	.3750	.0600	7490 33330	4300 19130
MG-307-FFM	1B	1.3780 35	3.9930	.8268 21	1.1250	.2400	.0600	7490 33330	4300 19130
MG-307-FFP	1B	1.3780 35	3.9900	.8268 21	1.1250	.2760	.0600	7490 33330	4300 19130
MG-307-FFQ	4	1.3780 35	4.4900	—	1.2550	.2500	.0400	7490 33330	4300 19130
MG-307-FFQB	4	1.3780 35	4.4900	—	1.2550	.1250	.0400	7490 33330	4300 19130
§ MG-307-FFWR	1	1.3780 35	3.7550	.8268 21	0.9960	.3150	.0600	7490 33330	4300 19130
§ MG-307-FFZ	2	1.3780 35	4.0000	.8268 21	1.1250	.3750	.0600	11830 52640	7760 34530
MG-307-LL	1C	1.3780 35	3.6170	.7874 20	1.2250	.3100	.0600	7490 33330	4300 19130
MG-307-LLA	1C	1.3780 35	3.2230	.7874 20	1.2250	.3100	.0600	7490 33330	4300 19130
MG-307-LLB	1C	1.3780 35	3.2300	.7874 20	1.2250	.3100	.0600	7490 33330	4300 19130
MG-307-LLH	1C	1.3780 35	3.6240	.7874 20	1.2250	.3100	.0600	7490 33330	4300 19130

⊖ BEARING CORNER RADII WILL CLEAR MAXIMUM FILLET RADIUS SHOWN.

§ NOT NECESSARILY A STOCK ITEM – CHECK FOR AVAILABILITY

Mast Guide Bearing Styles and Dimensions by Bore Size Continued

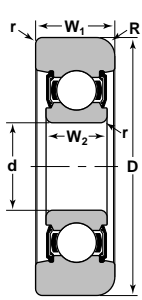


Bearing Number	Style	Bore	Outside Diameter	Inner Ring	Outer Ring	Radius	Fillet	Basic Load Ratings	
		d	D	W ₂	W ₁	R	r $\text{\textcircled{O}}$	Dynamic C	Static C ₀
		Inch/mm				Inches		lbs/N	
MG-208-FFA	3	1.5748 40	3.9700	.7712 —	1.0000	—	.0400	6550 29140	4020 17880
MG-208-FFB	3	1.5748 40	4.9420	.7087 18	1.0000	—	.0400	6550 29140	4020 17880
§ MG-208-FFE	4A	1.5748 40	3.9700	.7712 —	1.0000	—	.0400	9210 40980	6700 28910
MG-208-FFH	2	1.5748 40	3.7400	.8280 —	1.1350	.3120	.0400	9210 40980	6700 28910
MG-208-FFJ	2	1.5748 40	4.0160	.8280 —	1.1350	.3750	.0400	9210 40980	6700 28910
MG-208-FFK	2	1.5748 40	3.9900	.8280 —	1.1350	.3750	.0400	9210 40980	6700 28910
§ MG-208-FFM	3	1.5748 40	4.0000	.7712 —	1.0000	—	.0400	6550 29140	4020 17880
§ MG-209-FFA	2	1.5748 40	3.9900	.8280 —	1.1350	.3125	.0400	10010 44540	7790 34660
MG-308-FFA	1	1.5748 40	4.4860	.9055 23	1.1250	.3750	.0600	9170 40800	5400 24030
§ MG-308-FFAB	1B	1.5748 40	4.2786	.9055 23	1.2200	.2360	.0590	9170 40800	5400 24030
§ MG-308-FFAC	1B	1.5748 40	4.3180	.9055 23	1.2200	.2360	.0590	9170 40800	5400 24030
§ MG-308-FFAD	1B	1.5748 40	4.3613	.9055 23	1.2200	.2360	.0590	9170 40800	5400 24030
MG-308-FFB	1A	1.5748 40	4.0000	.9055 23	1.1250	.3750	.0600	9170 40800	5400 24030
§ MG-308-FFE	1	1.5748 40	4.4960	.9055 23	1.1100	.2460	.0600	9170 40800	5400 24030
MG-308-FFH	1	1.5748 40	4.0000	.9055 23	1.1250	.2500	.0600	9170 40800	5400 24030
MG-308-FFPCN	1	1.5748 40	4.3180	.9055 23	1.2600	.2760	.0900	9170 40800	5400 24030
MG-308-FFU	2A	1.5748 40	4.3780	.8500 —	1.2690	.3100	.0600	12670 56370	8770 39000
MG-308-FFUA	2A	1.5748 40	4.3930	.8500 —	1.2690	.3100	.0600	12670 56370	8770 39000
MG-308-FFUB	2A	1.5748 40	4.4380	.8500 —	1.2690	.3100	.0600	12670 56370	8770 39000
MG-5208-VFF	10	1.5748 40	4.0820	1.1925 —	1.7600	—	.0400	13960 62120	12480 55530
MG-5208-VFFA	10	1.5748 40	4.0820	1.1925 —	1.6980	—	.0400	13960 62120	12480 55530
MG-5208-VFFE	10	1.5748 40	4.9900	1.1925 —	1.6980	—	.0400	13960 62120	12480 55530

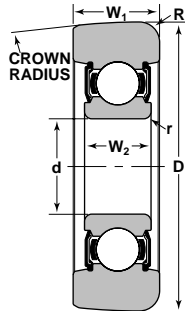
① BEARING CORNER RADII WILL CLEAR MAXIMUM FILLET RADIUS SHOWN.

§ NOT NECESSARILY A STOCK ITEM – CHECK FOR AVAILABILITY

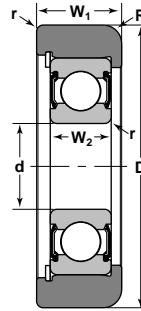
Mast Guide Bearing Styles and Dimensions by Bore Size Continued



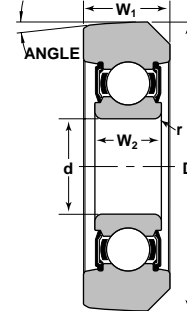
STYLE 1



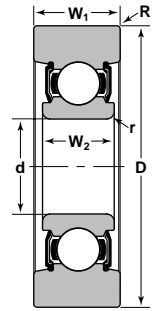
STYLE 1B



STYLE 2



STYLE 3



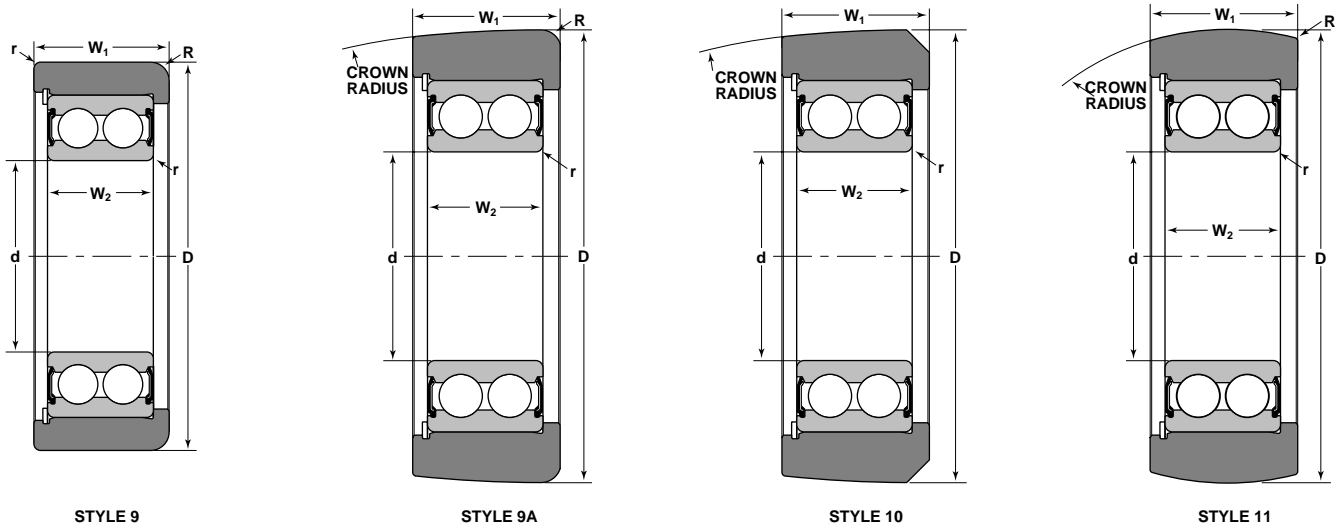
STYLE 7

Bearing Number	Style	Bore	Outside Diameter	Inner Ring	Outer Ring	Radius	Fillet	Basic Load Ratings	
		d	D	W ₂	W ₁	R	r $\text{\textcircled{O}}$	Dynamic C	Static C _O
		Inch/mm				Inches		lbs/N	
§ MG-5208-VFFP	9A	1.5748 40	4.9900	1.1850 —	1.6880	.3100	.0800	13960 62120	12480 55530
§ MG-5208-VFFPA	9A	1.5748 40	5.0150	1.1850 —	1.6880	.3100	.0800	13960 62120	12480 55530
§ MG-5208-VFFPB	9A	1.5748 40	5.0450	1.1850 —	1.6880	.3100	.0800	13960 62120	12480 55530
§ MG-5208-VFFQ	9A	1.5748 40	4.0770	1.1850 —	1.6880	.3100	.0800	13960 62120	12480 55530
§ MG-5208-VFFQA	9A	1.5748 40	4.1070	1.1850 —	1.6880	.3100	.0800	13960 62120	12480 55530
§ MG-5208-VFFQB	9A	1.5748 40	4.1360	1.1850 —	1.6880	.3100	.0800	13960 62120	12480 55530
MG-209-DD	7	1.7717 45	3.9750	.7480 19	1.1210	.1250	.0800	4570 20330	7030 31280
MG-309-DDA	1	1.7717 45	5.0030	.9843 25	1.2500	.3125	.0600	11900 52950	7180 31950
MG-309-DDB	1B	1.7717 45	5.0025	.9843 25	1.2500	.3125	.0400	11900 52950	7180 31950
§ MG-309-DDBA	1B	1.7717 45	5.0340	.9843 25	1.2500	.3125	.0600	11900 52950	7180 31950
§ MG-309-DDE	3	1.7717 45	4.9420	.9843 25	1.5150	—	.0600	11900 52950	7180 31950
§ MG-309-DDH	7	1.7717 45	4.7500	.9843 25	1.2500	.1250	.0400	11900 52950	7180 31950
§ MG-310-FFA	2	1.9685 50	4.9950	.9940 —	1.1900	.3120	.0600	13350 59400	10500 46720
§ MG-5210-VFF	11	1.9685 50	6.4500	1.1850 —	1.6900	.1000	.0400	15630 69550	15670 69730
MG-311-FF	1	2.1654 55	6.4680	1.1417 29	1.5000	.4375	.0400	16080 71550	10020 44580
MG-311-FFA	1	2.1654 55	5.9800	1.1417 29	1.5000	.4375	.0400	16080 71550	10020 44580
§ MG-311-ZZ	1	2.1654 55	6.4680	1.1417 29	1.5000	.4375	.0800	16080 71550	10020 44580
MG-311-ZZA	1	2.1654 55	5.9800	1.1417 29	1.5000	.4375	.0800	16080 71550	10020 44580
§ MG-5211-VFF	11	2.1654 55	7.4600	1.5160 —	1.8100	.1000	.0600	18890 84060	18870 83970
MG-5211-VFFA	11	2.1654 55	6.2700	1.5180 —	1.8850	.0600	.0600	18890 84060	18870 83970
§ MG-5211-VFFB	9	2.1654 55	5.9800	1.3810 —	1.8850	.0600	.0600	18890 84060	18870 83970

⓪ BEARING CORNER RADII WILL CLEAR MAXIMUM FILLET RADIUS SHOWN.

§ NOT NECESSARILY A STOCK ITEM – CHECK FOR AVAILABILITY

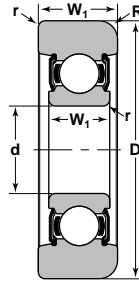
Mast Guide Bearing Styles and Dimensions by Bore Size Continued



Bearing Number	Style	Bore	Outside Diameter	Inner Ring	Outer Ring	Radius	Fillet	Basic Load Ratings	
		d	D	W ₂	W ₁	R	r Ⓢ	Dynamic C	Static C ₀
		Inch/mm				Inches		lbs/N	
MG-5211-VR	11	2.1654 55	5.3850	1.5180 —	1.8850	.0600	.0600	18890 84060	18870 83970
MG-5311-VFFA	9	2.1654 55	6.4400	1.9375 —	2.0670	.4370	.1180	31070 138260	29080 129400
MG-5311-VZZA	9	2.1654 55	6.4400	1.9375 —	2.0670	.4370	.1180	31070 138260	29080 129400
§ MG-5212-VZZ	11	2.3622 60	7.4600	1.4375 —	2.1300	.2500	.0600	23100 102790	23470 104440
§ MG-5212-VZZA	11	2.3622 60	7.9600	1.4375 —	2.1300	.2500	.0600	23100 102790	23470 104440
MG-5213-VFF	11	2.5591 65	7.4120	1.8430 —	2.0600	.0600	.0600	27690 123220	28540 127000

Ⓢ BEARING CORNER RADII WILL CLEAR MAXIMUM FILLET RADIUS SHOWN.
 § NOT NECESSARILY A STOCK ITEM – CHECK FOR AVAILABILITY

Mast Guide Bearings by Style

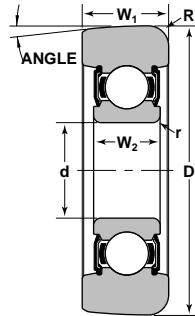


STYLE 1

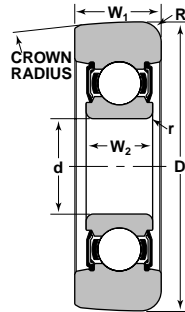
Bearing Number	Style	Bore	Outside Diameter	Inner Ring	Outer Ring	Radius	Fillet	Basic Load Ratings	
		d	D	W ₂	W ₁	R	r \ominus	Dynamic C	Static C _O
		Inch/mm					Inches		lbs/N
§ MG-205-FF	1	.9843 25	2.5630	.5890 —	.8380	.2460	.0590	3150 14010	1760 7830
MG-206-FFB	1	1.1811 30	3.000	.6299 —	1.062	.0625	.0400	4380 19490	2530 11255
MG-206-FFE	1	1.1811 30	3.000	.6299 —	1.125	.0625	.0400	4380 19490	2530 11255
MG-305-DD	1	.9843 25	3.0000	.6693 17	1.0000	.3000	.0400	4610 20510	2500 11120
§ MG-305-DDE	1	.9843 25	3.1320	.6680 —	.9450	.2360	.0980	4610 20510	2500 11120
MG-305-DDA	1	1.0000 —	2.9370	.6693 17	1.0000	.3300	.0400	4610 20510	2500 11120
MG-306-DD	1	1.1811 30	3.5000	.7480 19	1.0000	.3750	.0400	5980 26600	3350 14900
MG-306-DOB	1	1.1811 30	3.2500	.7480 19	1.0620	.3430	.0400	5980 26600	3350 14900
§ MG-306-FF	1	1.1811 30	3.5000	.7480 19	1.0000	.3750	.0400	5980 26600	3350 14900
§ MG-306-FFB	1	1.1811 30	3.2500	.7480 19	1.0620	.3430	.0400	5980 26600	3350 14900
§ MG-207-FFJB	1	1.3780 35	3.7250	.6693 17	.9960	.3120	.0400	5770 25670	3440 15300
MG-307-FFA	1	1.3780 35	4.0000	.8268 21	1.1250	.3750	.0600	7490 33330	4300 19130
MG-307-FFH	1	1.3780 35	3.9900	.8268 21	1.1250	.3700	.0600	7490 33330	4300 19130
§ MG-307-FFHA	1	1.3780 35	4.0150	.8268 21	1.1250	.3750	.0590	7490 33330	4300 19130
§ MG-307-FFJ	1	1.3780 35	3.7250	.8268 21	1.0000	.3750	.0600	8290 36890	4580 20380
MG-307-FFK	1	1.3780 35	3.7250	.8268 21	1.0000	.3750	.0600	7490 33330	4300 19130
§ MG-307-FFWK	1	1.3780 35	3.7750	.8268 21	1.1220	.2760	.0980	7490 33330	4300 19130
§ MG-307-FFWP	1	1.3780 35	3.7750	.8268 21	1.1220	.2760	.0980	7490 33330	4300 19130
§ MG-307-FFWR	1	1.3780 35	3.7550	.8268 21	0.9960	.3150	.0600	7490 33330	4300 19130
MG-308-FFA	1	1.5748 40	4.4860	.9055 23	1.1250	.3750	.0600	9170 40800	5400 24030
§ MG-308-FFE	1	1.5748 40	4.4960	.9055 23	1.1100	.2460	.0600	9170 40800	5400 24030
MG-308-FFH	1	1.5748 40	4.0000	.9055 23	1.1250	.2500	.0600	9170 40800	5400 24030

⊖ BEARING CORNER RADII WILL CLEAR MAXIMUM FILLET RADIUS SHOWN.
 § NOT NECESSARILY A STOCK ITEM – CHECK FOR AVAILABILITY

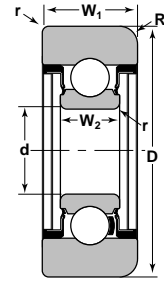
Mast Guide Bearings by Style Continued



STYLE 1A



STYLE 1B



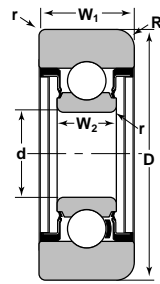
STYLE 1C

Bearing Number	Style	Bore	Outside Diameter	Inner Ring	Outer Ring	Radius	Fillet	Basic Load Ratings	
		d	D	W ₂	W ₁	R	r \ominus	Dynamic C	Static C ₀
		Inch/mm				Inches		lbs/N	
§ MG-308-FFPA	1	1.5748 40	4.3390	.9055 23	1.2800	.2760	.0980	9170 40800	5400 24030
§ MG-308-FFPB	1	1.5748 40	4.3740	.9055 23	1.2800	.2760	.0980	9170 40800	5400 24030
MG-308-FFPCN	1	1.5748 40	4.3180	.9055 23	1.2600	.2760	.0900	9170 40800	5400 24030
MG-309-DDA	1	1.7717 45	5.0030	.9843 25	1.2500	.3125	.0600	11900 52950	7180 31950
MG-311-FF	1	2.1654 55	6.4680	1.1417 29	1.5000	.4375	.0400	16080 71550	10020 44580
MG-311-FFA	1	2.1654 55	5.9800	1.1417 29	1.5000	.4375	.0400	16080 71550	10020 44580
§ MG-311-ZZ	1	2.1654 55	6.4680	1.1417 29	1.5000	.4375	.0800	16080 71550	10020 44580
MG-311-ZZA	1	2.1654 55	5.9800	1.1417 29	1.5000	.4375	.0800	16080 71550	10020 44580
MG-308-FFB	1A	1.5748 40	4.0000	.9055 23	1.1250	.3750	.0600	9170 40800	5400 24030
MG-305-DBB	1B	.9843 25	3.0000	.6693 17	1.0000	.2500	.0400	4610 20510	2500 11120
MG-307-FFM	1B	1.3780 35	3.9930	.8268 21	1.1250	.2400	.0600	7490 33330	4300 19130
MG-307-FFP	1B	1.3780 35	3.9900	.8268 21	1.1250	.2760	.0600	7490 33330	4300 19130
§ MG-308-FFAB	1B	1.5748 40	4.2786	.9055 23	1.2200	.2360	.0590	9170 40800	5400 24030
§ MG-308-FFAC	1B	1.5748 40	4.3180	.9055 23	1.2200	.2360	.0590	9170 40800	5400 24030
§ MG-308-FFAD	1B	1.5748 40	4.3613	.9055 23	1.2200	.2360	.0590	9170 40800	5400 24030
MG-309-DBB	1B	1.7717 45	5.0025	.9843 25	1.2500	.3125	.0400	11900 52950	7180 31950
§ MG-309-DBBA	1B	1.7717 45	5.0340	.9843 25	1.2500	.3125	.0600	11900 52950	7180 31950
MG-307-LL	1C	1.3780 35	3.6170	.7874 20	1.2250	.3100	.0600	7490 33330	4300 19130
MG-307-LLA	1C	1.3780 35	3.2230	.7874 20	1.2250	.3100	.0600	7490 33330	4300 19130
MG-307-LLB	1C	1.3780 35	3.2300	.7874 20	1.2250	.3100	.0600	7490 33330	4300 19130
MG-307-LLH	1C	1.3780 35	3.6240	.7874 20	1.2250	.3100	.0600	7490 33330	4300 19130

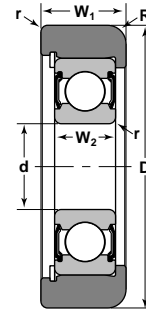
Ⓢ BEARING CORNER RADII WILL CLEAR MAXIMUM FILLET RADIUS SHOWN.

§ NOT NECESSARILY A STOCK ITEM – CHECK FOR AVAILABILITY

Mast Guide Bearings by Style Continued



STYLE 1C



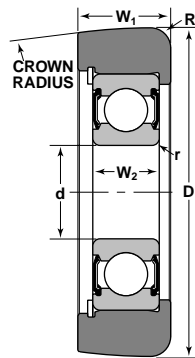
STYLE 2

Bearing Number	Style	Bore	Outside Diameter	Inner Ring	Outer Ring	Radius	Fillet	Basic Load Ratings	
		d	D	W ₂	W ₁	R	r \ominus	Dynamic C	Static C _O
		Inch/mm				Inches		lbs/N	
§ MG-307-FFZ	2	1.3780 35	4.0000	.8268 21	1.1250	.3750	.0600	11830 52640	7760 34530
MG-208-FFH	2	1.5748 40	3.7400	.8280 —	1.1350	.3120	.0400	9210 40980	6700 28910
MG-208-FFJ	2	1.5748 40	4.0160	.8280 —	1.1350	.3750	.0400	9210 40980	6700 28910
MG-208-FFK	2	1.5748 40	3.9900	.8280 —	1.1350	.3750	.0400	9210 40980	6700 28910
§ MG-209-FFA	2	1.5748 40	3.9900	.8280 —	1.1350	.3125	.0400	10010 44540	7790 34660
§ MG-310-FFA	2	1.9685 50	4.9950	.9940 —	1.1900	.3120	.0600	13350 59400	10500 46720
MG-206-FFH	2A	1.1811 30	3.1300	.6530 —	1.1250	.2500	.0400	6150 27360	4240 18860
§ MG-206-FFHA	2A	1.1811 30	3.1300	.6530 —	1.1250	.2500	.0400	6150 27360	4240 18860
MG-206-FFK	2A	1.1811 30	3.4000	.6530 —	1.1250	.2500	.0400	6150 27360	4240 18860
§ MG-206-FFKA	2A	1.1811 30	3.4000	.6530 —	1.1250	.2500	.0400	6150 27360	4240 18860
MG-206-FFP	2A	1.1811 30	3.4700	.6530 —	1.1520	.2360	.0400	6150 27360	4240 18860
MG-206-FFPA	2A	1.1811 30	3.4855	.6530 —	1.1520	.2360	.0400	6150 27360	4240 18860
MG-206-FFPB	2A	1.1811 30	3.5055	.6530 —	1.1520	.2360	.0400	6150 27360	4240 18860
MG-206-FFU	2A	1.1811 30	3.1940	.6530 —	1.1520	.2360	.0400	6150 27360	4240 18860
§ MG-206-FFUA	2A	1.1811 30	3.2140	.6530 —	1.1520	.2360	.0400	6150 27360	4240 18860
§ MG-206-FFUB	2A	1.1811 30	3.2340	.6530 —	1.1520	.2360	.0400	6150 27360	4240 18860
§ MG-206-FFW	2A	1.1811 30	3.4140	.6530 —	1.1250	.1900	.0400	6150 27360	4240 18860
§ MG-206-FFWA	2A	1.1811 30	3.4440	.6530 —	1.1250	.1900	.0400	6150 27360	4240 18860
§ MG-206-FFWB	2A	1.1811 30	3.4740	.6530 —	1.1250	.1900	.0400	6150 27360	4240 18860
§ MG-206-FFZ	2A	1.1811 30	3.1390	.6530 —	1.1250	.1900	.0400	6150 27360	4240 18860
§ MG-206-FFZA	2A	1.1811 30	3.1690	.6530 —	1.1250	.1900	.0400	6150 27360	4240 18860
§ MG-206-FFZB	2A	1.1811 30	3.1990	.6530 —	1.1250	.1900	.0400	6150 27360	4240 18860

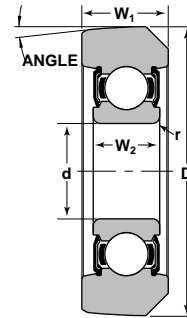
⊖ BEARING CORNER RADII WILL CLEAR MAXIMUM FILLET RADIUS SHOWN.

§ NOT NECESSARILY A STOCK ITEM – CHECK FOR AVAILABILITY

Mast Guide Bearings by Style Continued



STYLE 2A

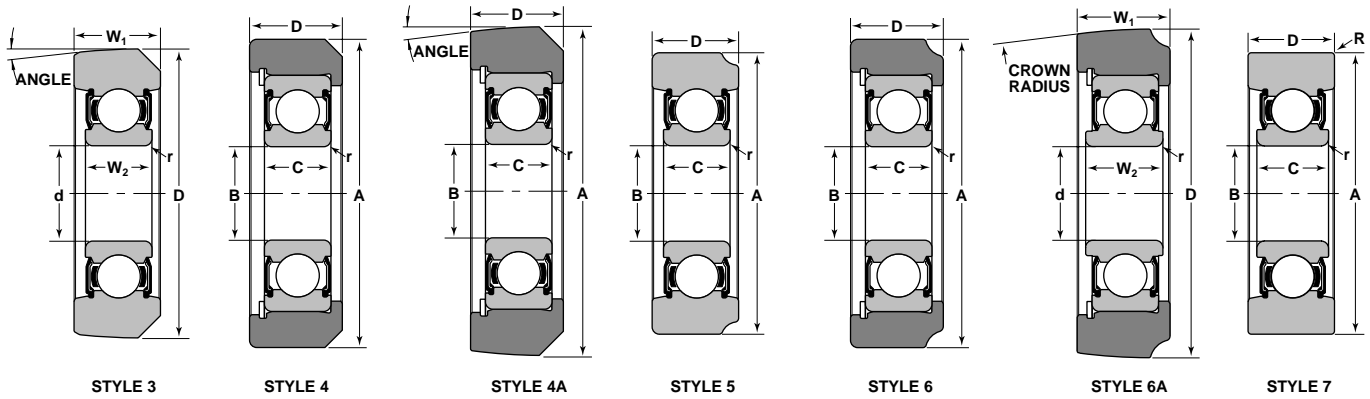


STYLE 3

Bearing Number	Style	Bore	Outside Diameter	Inner Ring	Outer Ring	Radius	Fillet	Basic Load Ratings	
		d	D	W ₂	W ₁	R	r $\text{\textcircled{O}}$	Dynamic C	Static C _O
		Inch/mm				Inches		lbs/N	
§ MG-207-FFJA	2A	1.3780 35	3.6190	.7860 —	1.2550	.3100	.0400	8750 38930	6020 26780
§ MG-207-FFQA	2A	1.3780 35	4.3730	.7860 —	1.1920	.3100	.0400	8750 38930	6020 26780
§ MG-207-FFQB	2A	1.3780 35	3.9620	.7874 20	1.1920	.3100	.0400	8750 38930	6020 26780
MG-207-FFQH	2A	1.3780 35	4.3780	.7874 20	1.1850	.3100	.0400	8750 38930	6020 26780
MG-207-FFQJ	2A	1.3780 35	4.3790	.7874 20	1.1850	.3100	.0400	8750 38930	6020 26780
§ MG-207-FFU	2A	1.3780 35	3.9900	.8268 21	1.1250	.2760	.0600	11830 52640	7760 34530
MG-207-FFQM	2A	1.3780 35	4.3910	.7874 20	1.1850	.3100	.0400	8750 38930	6020 26780
MG-207-FFUA	2A	1.3780 35	3.6170	.7874 20	1.2250	.3100	.0400	8750 38930	6020 26780
MG-207-FFUB	2A	1.3780 35	3.6090	.7874 20	1.2250	.3100	.0400	8750 38930	6020 26780
MG-207-FFWA	2A	1.3780 35	3.223	.7874 20	1.2250	.3100	.0400	8750 38930	6020 26780
MG-308-FFU	2A	1.5748 40	4.3780	.8500 —	1.2690	.3100	.0600	12670 56370	8770 39000
MG-308-FFUA	2A	1.5748 40	4.3930	.8500 —	1.2690	.3100	.0600	12670 56370	8770 39000
MG-308-FFUB	2A	1.5748 40	4.4380	.8500 —	1.2690	.3100	.0600	12670 56370	8770 39000
MG-206-FF	3	1.1811 30	3.235	.7712 —	1.0000	—	.0400	4380 19490	2530 11255
MG-206-FFA	3	1.1811 30	3.2000	.7712 —	1.0000	—	.0400	4380 19490	2530 11255
MG-208-FFA	3	1.5748 40	3.9700	.7712 —	1.0000	—	.0400	6550 29140	4020 17880
MG-208-FFB	3	1.5748 40	3.9420	.7087 18	1.0000	—	.0400	6550 29140	4020 17880
§ MG-208-FFM	3	1.5748 40	4.0000	.7712 —	1.0000	—	.0400	6550 29140	4020 17880
§ MG-309-DDE	3	1.7717 45	4.9420	.9843 25	1.5150	—	.0600	11900 52950	7180 31950
MG-307-FFQ	4	1.3780 35	4.4900	— —	1.2550	.2500	.0400	7490 33330	4300 19130
MG-307-FFQB	4	1.3780 35	4.4900	— —	1.2550	.1250	.0400	7490 33330	4300 19130

⓪ BEARING CORNER RADII WILL CLEAR MAXIMUM FILLET RADIUS SHOWN.
 § NOT NECESSARILY A STOCK ITEM – CHECK FOR AVAILABILITY

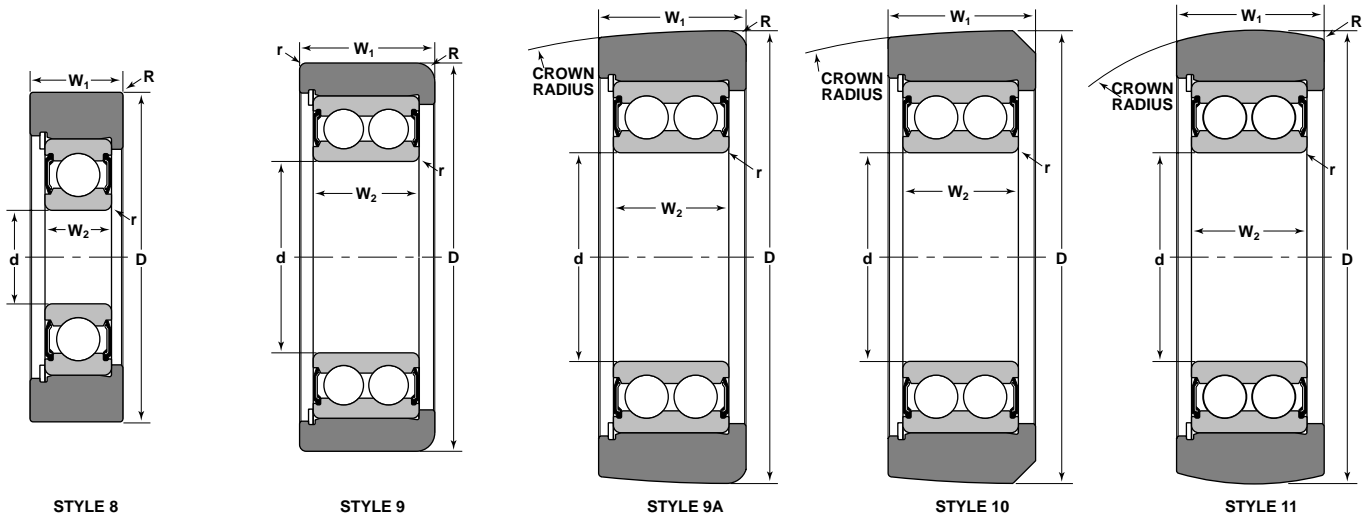
Mast Guide Bearings by Style Continued



Bearing Number	Style	Bore	Outside Diameter	Inner Ring	Outer Ring	Radius	Fillet	Basic Load Ratings	
		d	D	W ₂	W ₁	R	r \ominus	Dynamic C	Static C ₀
		Inch/mm				Inches		lbs/N	
MG-206-FFM	4A	1.1811 30	3.2000	.7712 —	1.0000	—	.0400	6150 27360	4240 18860
§ MG-208-FFE	4A	1.5748 40	3.9700	.7712 —	1.0000	—	.0400	9210 40980	6700 28910
MG-307-FFE	5	1.3780 35	3.9900	.8268 21	1.1250	—	.0600	7490 33330	4300 19130
MG-207-FFM	6	1.3780 35	3.9910	.8268 21	1.1250	—	.0400	8750 38930	6020 26780
MG-207-FFH	6A	1.3780 35	3.5920	.8268 21	1.2550	—	.0400	8750 38930	6020 26780
MG-207-FFJ	6A	1.3780 35	3.5920	.7874 20	1.2550	—	.0400	8750 38930	6020 26780
MG-207-FFK	6A	1.3780 35	4.3820	.8268 21	1.1920	—	.0400	8750 38930	6020 26780
§ MG-207-FFP	6A	1.3780 35	3.5920	.8850 —	1.2550	—	.0400	8750 38930	6020 26780
MG-207-FFQ	6A	1.3780 35	4.3730	.7874 20	1.1920	—	.0400	8750 38930	6020 26780
MG-207-FFQC	6A	1.3780 35	4.9720	.7874 20	1.1870	—	.0400	8750 38930	6020 26780
§ MG-207-FFU	6A	1.3780 35	4.3820	.7874 20	1.1920	—	.0400	8750 38930	6020 26780
MG-207-FFB	7	1.3780 35	3.4800	.6693 17	1.2550	.0625	.0400	5770 25670	3440 15300
MG-307-FFB	7	1.3780 35	3.9800	.8268 21	1.2550	.1250	.0600	7490 33330	4300 19130
MG-209-DD	7	1.7717 45	3.9750	.7480 19	1.1210	.1250	.0800	4570 20330	7030 31280
§ MG-309-DDH	7	1.7717 45	4.7500	.9843 25	1.2500	.1250	.0400	11900 52950	7180 31950
MG-207-FFA	8	1.3780 35	3.2230	.6743 —	1.0670	.1250	.0400	8750 38930	6020 26780
MG-5211-VFFB	9	2.1654 55	5.9800	1.3810 —	1.8850	.0600	.0600	18890 84060	18870 83970
MG-5311-VFFA	9	2.1654 55	6.4400	1.9375 —	2.0670	.4370	.1180	31070 138260	29080 129400
MG-5311-VZZA	9	2.1654 55	6.4400	1.9375 —	2.0670	.4370	.1180	31070 138260	29080 129400

Ⓢ BEARING CORNER RADII WILL CLEAR MAXIMUM FILLET RADIUS SHOWN.
 § NOT NECESSARILY A STOCK ITEM – CHECK FOR AVAILABILITY

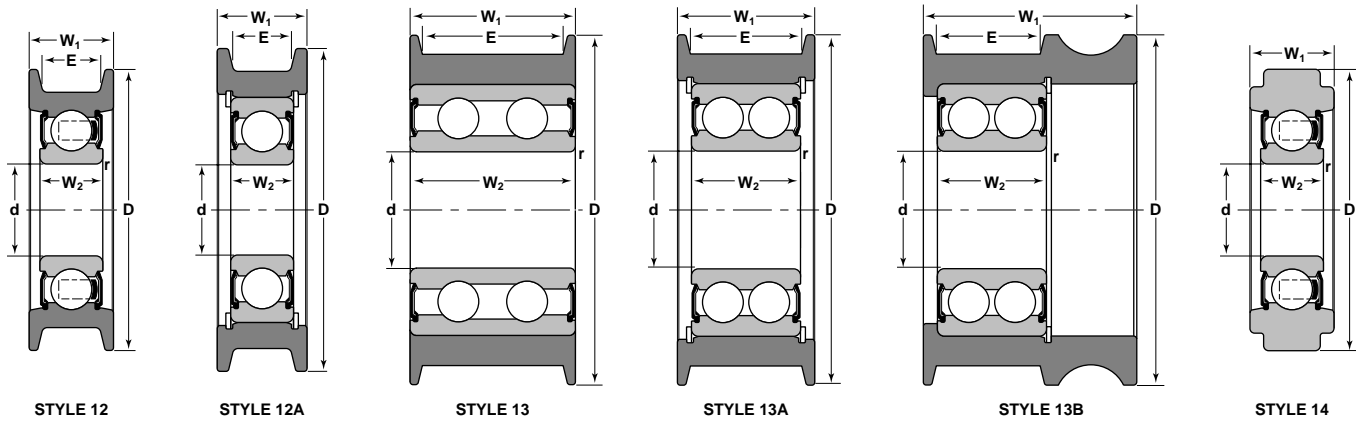
Mast Guide Bearings by Style Continued



Bearing Number	Style	Bore	Outside Diameter	Inner Ring	Outer Ring	Radius	Fillet	Basic Load Ratings	
		d	D	W ₂	W ₁	R	r \ominus	Dynamic C	Static C ₀
		Inch/mm				Inches		lbs/N	
§ MG-5208-VFFP	9A	1.5748 40	4.9900	1.1850 —	1.6880	.3100	.0800	13960 62120	12480 55530
§ MG-5208-VFFPA	9A	1.5748 40	5.0150	1.1850 —	1.6880	.3100	.0800	13960 62120	12480 55530
§ MG-5208-VFFPB	9A	1.5748 40	5.0450	1.1850 —	1.6880	.3100	.0800	13960 62120	12480 55530
§ MG-5208-VFFQ	9A	1.5748 40	4.0770	1.1850 —	1.6880	.3100	.0800	13960 62120	12480 55530
§ MG-5208-VFFQA	9A	1.5748 40	4.1070	1.1850 —	1.6880	.3100	.0800	13960 62120	12480 55530
§ MG-5208-VFFQB	9A	1.5748 40	4.1360	1.1850 —	1.6880	.3100	.0800	13960 62120	12480 55530
§ MG-5208-FFA	10	1.5748 40	4.0820	1.1925 —	1.7600	—	.0400	13960 62120	12480 55530
MG-5208-VFF	10	1.5748 40	4.0820	1.1925 —	1.7600	—	.0400	13960 62120	12480 55530
MG-5208-VFFA	10	1.5748 40	4.0820	1.1925 —	1.6980	—	.0400	13960 62120	12480 55530
MG-5208-VFFE	10	1.5748 40	4.9900	1.1925 —	1.6980	—	.0400	13960 62120	12480 55530
§ MG-5210-VFF	11	1.9685 50	6.4500	1.1850 —	1.6900	.1000	.0400	15630 69550	15670 69730
§ MG-5211-VFF	11	2.1654 55	7.4600	1.5160 —	1.8100	.1000	.0600	18890 84060	18870 83970
MG-5211-VFFA	11	2.1654 55	6.2700	1.5180 —	1.8850	.0600	.0600	18890 84060	18870 83970
MG-5211-VR	11	2.1654 55	5.3850	1.5180 —	1.8850	.0600	.0600	18890 84060	18870 83970
§ MG-5212-VZZ	11	2.3622 60	7.4600	1.4375 —	2.1300	.2500	.0600	23100 102790	23470 104440
§ MG-5212-VZZA	11	2.3622 60	7.9600	1.4375 —	2.1300	.2500	.0600	23100 102790	23470 104440
MG-5213-VFF	11	2.5591 65	7.4120	1.8430 —	2.0600	.0600	.0600	27690 123220	28540 127000

① BEARING CORNER RADII WILL CLEAR MAXIMUM FILLET RADIUS SHOWN.
 § NOT NECESSARILY A STOCK ITEM – CHECK FOR AVAILABILITY

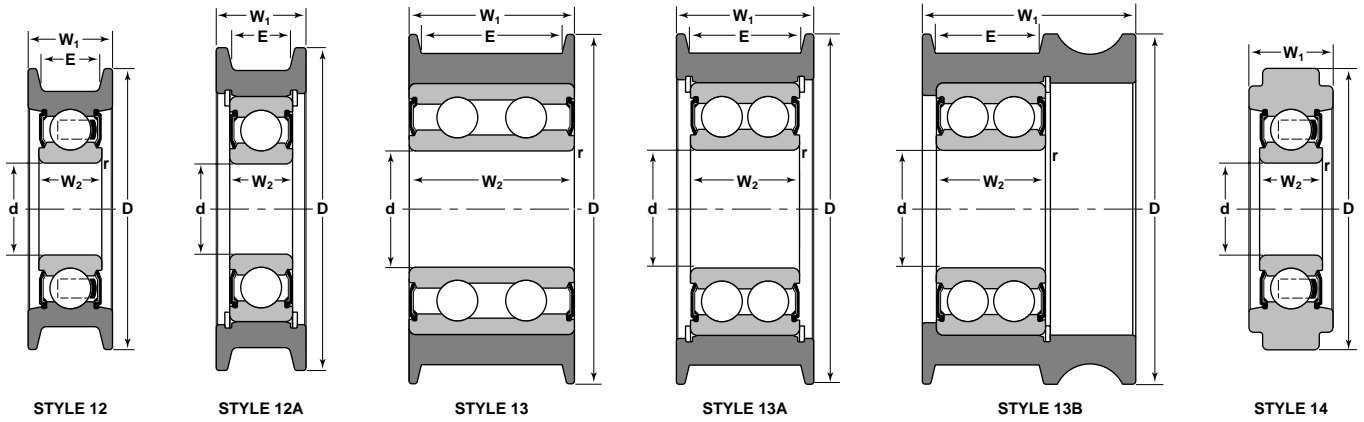
Chain Guide Bearings by Bore Size



Bearing Number	Style	Bore	Outside Diameter	Inner Ring	Outer Ring	Sheave	Radius	Fillet	Basic Load Ratings	
		d	D	W ₂	W ₁	E	R	r ⓐ	Dynamic C	Static C ₀
		Inch/mm							lbs/N	
§ CG-5206-SSB	13A	.9843 25	4.2500	.9375 —	1.5200	1.2500	—	—	9400 41830	7960 35420
§ CG-205-RR	12	1.0000 —	2.5000	.6250 —	.9100	.7200	—	.0800	3150 14010	1760 7830
§ CG-5206-FFE	13A	1.1811 30	4.2500	.9375 —	1.5200	1.2500	—	—	9400 41830	7960 35420
§ CG-207-FFA	14	1.3780 35	3.1720	.6693 17	.4590	—	—	.0400	5770 25670	3440 15300
CG-307-FFB	12A	1.3780 35	4.3750	.8268 —	1.5000	1.1000	.0600	.0600	11870 52820	7120 31680
§ CG-5108-VFF	13A	1.5748 40	3.5100	.8100 —	1.0050	.8250	.0200	—	8260 36750	8430 37510
§ CG-5108-VFFA	13A	1.5748 40	5.5100	.8100 —	1.0050	.8250	.0200	—	8260 36750	8430 37510
§ CG-5108-VFFB	13B	1.5748 40	3.5100	.8100 —	1.5100	.7100	.0400	—	8260 36750	8430 37510
§ CG-5207-VFFA	13B	1.5748 40	3.7600	1.2025 —	1.8200	1.0100	.0400	—	9490 42230	9570 42580
§ CG-5207-VFFB	13A	1.5748 40	3.7000	1.1875 —	1.3700	1.1100	.0200	—	9490 42230	9570 42580
§ CG-5208-VFFH	13A	1.5748 40	5.6300	1.1875 —	1.3700	1.1100	.0200	—	13960 62120	12480 55530
§ CG-5208-VFFJ	13A	1.5748 40	4.7600	1.1875 —	1.3700	1.0100	.0400	—	13960 62120	12480 55530
CG-308-FF	12	1.5748 40	4.646	.9055 —	1.2600	1.0240	.0600	.0600	11870 52820	7120 31680
§ CG-309-FF	12A	1.7717 45	5.1300	.9843 25	1.5500	1.1700	.0300	.0600	11870 52820	7120 31680
§ CG-5309-KFF	13	1.7717 45	4.7360	2.1770 —	2.0190	1.7440	.0390	.0400	18300 81430	13520 60160
§ CG-5309-KFFA	13	1.7717 45	4.7360	2.6100 —	2.4520	2.2160	—	.0400	18300 81430	13520 60160
§ CG-5210-VFF	13A	1.9685 50	5.8100	1.2025 —	1.4100	1.1100	.0400	.0600	18120 80630	19060 84810
§ CG-5210-VFFA	13A	1.9685 50	5.0100	1.2025 —	1.4100	1.1100	.0400	.0600	18120 80630	19060 84810

ⓐ BEARING CORNER RADII WILL CLEAR MAXIMUM FILLET RADIUS SHOWN.
 § NOT NECESSARILY A STOCK ITEM – CHECK FOR AVAILABILITY

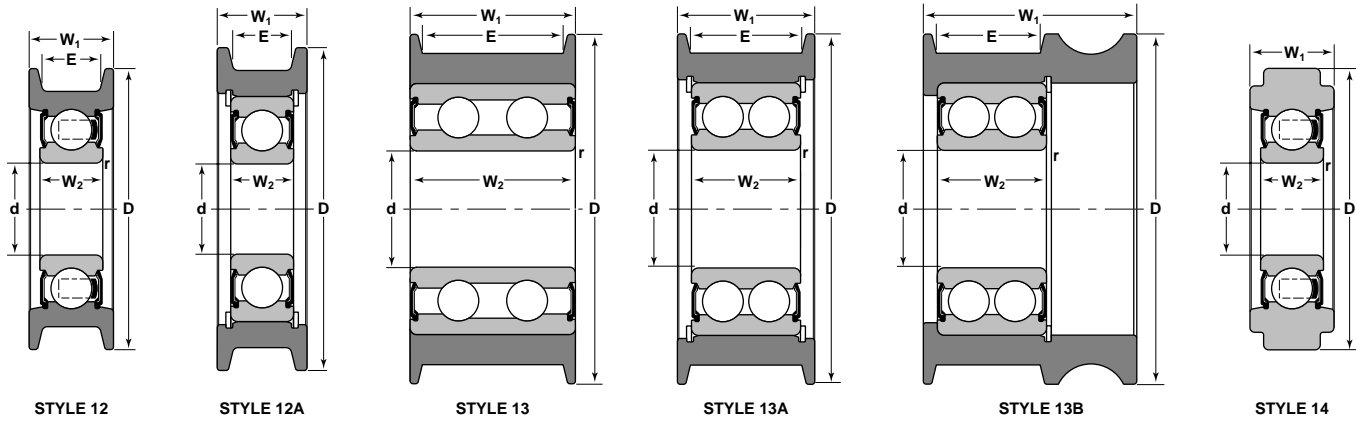
Chain Guide Bearings by Bore Size Continued



Bearing Number	Style	Bore	Outside Diameter	Inner Ring	Outer Ring	Sheave	Radius	Fillet	Basic Load Ratings	
		d	D	W ₂	W ₁	E	R	r \ominus	Dynamic C	Static C ₀
		Inch/mm						lbs/N		
§ CG-5210-VFFB	13B	1.9685 50	5.2600	1.2025 —	1.8850	1.1100	.0400	—	18120 80630	19060 84810
§ CG-5210-VFFE	13A	1.9685 50	6.9100	1.2025 —	1.4100	1.1100	.0400	.0600	18120 80630	19060 84810
§ CG-5210-VFFH	13A	1.9685 50	4.8800	1.2025 —	1.5100	1.1100	.0400	.0600	18120 80630	19060 84810

- ① BEARING CORNER RADII WILL CLEAR MAXIMUM FILLET RADIUS SHOWN.
 § NOT NECESSARILY A STOCK ITEM – CHECK FOR AVAILABILITY

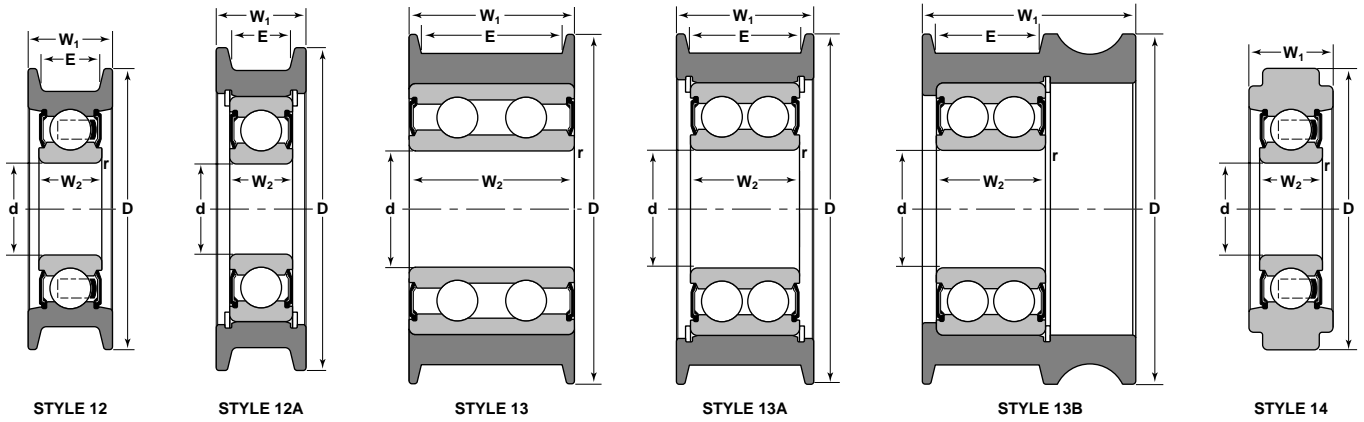
Chain Guide Bearings by Style



Bearing Number	Style	Bore	Outside Diameter	Inner Ring	Outer Ring	Sheave	Radius	Fillet	Basic Load Ratings	
		d	D	W ₂	W ₁	E	R	r Ⓣ	Dynamic C	Static C ₀
		Inch/mm							lbs/N	
§ CG-205-RR	12	1.0000 —	2.5000	.6250 —	.9100	.7200	—	.0800	3150 14010	1760 7830
§ CG-307-FFA	12	1.3780 35	4.6660	.8268 21	1.1930	.8070	.0250	.0980	7490 33330	4300 19130
CG-308-FF	12	1.5748 35	4.646	.9055 —	1.2600	1.0240	.0600	.0600	11870 52820	7120 31680
CG-307-FFB	12A	1.3780 35	4.3750	.8268 —	1.5000	1.1000	.0600	.0600	11870 52820	7120 31680
§ CG-309-FF	12A	1.7717 45	5.1300	.9843 25	1.5500	1.1700	.0390	.0600	11870 52820	7120 31680
§ CG-5208-VFF	13	1.5748 40	3.7600	1.1925 —	1.5000	1.1250	—	.0400	11810 52550	10450 46500
§ CG-5208-VFFA	13	1.5748 40	3.7600	1.7250 —	1.5000	1.1250	—	.0400	11810 52550	10450 46500
§ CG-5309-KFF	13	1.7717 45	4.7360	2.1770 —	2.0190	1.7440	.0390	.0400	18300 81430	13520 60160
§ CG-5309-KFFA	13	1.7717 45	4.7360	2.6100 —	2.4520	2.2160	—	.0400	18300 81430	13520 60160
§ CG-5206-SSB	13A	.9843 25	4.2500	.9375 —	1.5200	1.2500	—	—	9400 41830	7960 35420
§ CG-5206-SSE	13A	.9843 25	4.2500	.9375 —	1.5200	—	—	—	9400 41830	7960 35420
§ CG-5206-FFB	13A	1.1811 30	4.2500	.9375 —	1.5200	—	—	—	9400 41830	7960 35420
§ CG-5206-FFE	13A	1.1811 30	4.2500	.9375 —	1.5200	1.2500	—	—	9400 41830	7960 35420
§ CG-5108-VFF	13A	1.5748 40	3.5100	.8100 —	1.0050	.8250	.0200	—	8260 36750	8430 37510
§ CG-5108-VFFA	13A	1.5748 40	5.5100	.8100 —	1.0050	.8250	.0200	—	8260 36750	8430 37510
§ CG-5207-VFFB	13A	1.5748 40	3.7000	1.1875 —	1.3700	1.1100	.0400	—	9490 42230	9570 42580
§ CG-5208-VFFH	13A	1.5748 40	5.6300	1.1875 —	1.3700	1.1100	.0200	—	13960 62120	12480 55530
§ CG-5208-VFFJ	13A	1.5748 40	4.7600	1.1875 —	1.3700	1.0100	.0400	—	13960 62120	12480 55530
§ CG-5210-VFF	13A	1.9685 50	5.8100	1.2025 —	1.4100	1.1100	.0400	.0600	18120 80630	19060 84810
§ CG-5210-VFFA	13A	1.9685 50	5.0100	1.2025 —	1.4100	1.1100	.0400	.0600	18120 80630	19060 84810
§ CG-5210-VFFE	13A	1.9685 50	6.9100	1.2025 —	1.4100	1.1100	.0400	.0600	18120 80630	19060 84810

Ⓣ BEARING CORNER RADII WILL CLEAR MAXIMUM FILLET RADIUS SHOWN.
 § NOT NECESSARILY A STOCK ITEM – CHECK FOR AVAILABILITY

Chain Guide Bearings by Style



Bearing Number	Style	Bore	Outside Diameter	Inner Ring	Outer Ring	Sheave	Radius	Fillet	Basic Load Ratings		
		d	D	W ₂	W ₁	E	R	r ⌀	Dynamic C	Static C ₀	
		Inch/mm						lbs/N			
§ CG-5210-VFFH	13A	1.9685 50	4.8800	1.2025 —	1.5100	1.2100	.0400	.0600	18120 80630	19060 84810	
§ CG-5108-VFFB	13B	1.5748 40	3.5100	.8100 —	1.5100	.7100	.0400	—	8260 36750	8430 37510	
§ CG-5207-VFFA	13B	1.5748 40	3.7600	1.2025 —	1.8200	1.0100	.0400	—	9490 42230	9570 42580	
§ CG-5210-VFFB	13B	1.9685 50	5.2600	1.2025 —	1.8850	1.1100	.0400	—	18120 80630	19060 84810	
§ CG-207-FFA	14	1.3780 35	3.1720	.6693 17	.4590	—	—	.0400	5770 25670	3440 15300	

- ⓘ BEARING CORNER RADII WILL CLEAR MAXIMUM FILLET RADIUS SHOWN.
 § NOT NECESSARILY A STOCK ITEM – CHECK FOR AVAILABILITY