



Acorn Bearings & Transmission Co. Ltd.



SUPPLIERS OF QUALITY PRECISION COMPONENTRY

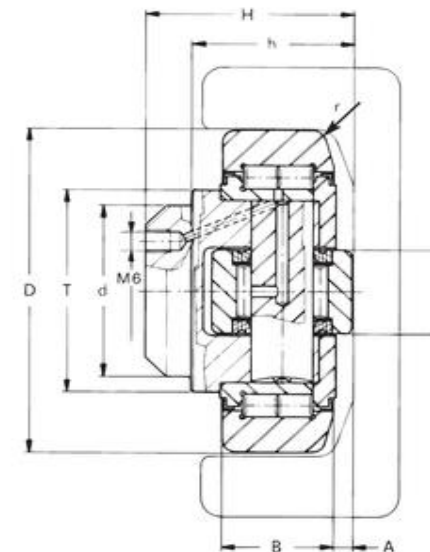
Email : sales@acornbearings.co.uk / Web : www.acornbearings.co.uk / Tel : +44 (0) 1252 737 500 / Fax : +44 (0) 1252 737 501

Combined Roller Bearings

Type	D / mm	T / mm	d -0.05 / H / mm	h / mm	B / mm	A / mm	S / mm	r / mm
4.053	52,5	40	30	33,0	27,0	17,0	5,0	2
4.054	62,5	42	30	37,5	30,5	20,0	2,5	3
4.055	70,1	48	35	44,0	36,0	23,0	2,5	4
4.056	77,7	54	40	48,0	36,5	23,0	3,0	4
4.057	77,7	53	40	40,0	29,0	23,0	3,0	4
4.058	88,4	59	45	57,0	44,0	30,0	3,5	3
4.059	101,2	67	50	46,0	33,0	28,0	3,0	3
4.06	107,7	71	55	53,0	39,0	31,0	3,0	5
4.061	107,7	71	60	69,0	55,0	31,0	4,0	5
4.062	123,0	80	60	72,3	56,0	37,0	5,0	5
4.063	149,0	103	60	78,5	58,5	43,0	5,5	3



Type	F _R / kN	F _A / kN	C / kN	C _O / kN	C _A / kN	C _{OA} / kN	RPM	Weight / kg	Flange plates
4.053	5,23	1,68	24,0	32,0	7	7	800	0,46	APS APS-Q
4.054	9,40	3,10	31,0	35,5	11	11	900	0,53	AP0 AP0-Q
4.055	11,30	3,73	45,5	51,0	13	14	900	0,80	AP1 AP1-Q
4.056	11,72	3,87	48,0	56,8	18	18	800	1,00	AP2 AP2-Q
4.057	11,72	3,87	48,0	56,8	18	18	800	0,87	-
4.058	20,47	6,76	68,0	72,0	23	23	750	1,62	AP3.1 AP3-Q
4.059	20,11	6,70	73,0	82,0	25	27	700	1,74	-
4.06	21,68	7,16	81,0	95,0	31	36	650	2,27	-
4.061	21,68	7,16	81,0	95,0	31	36	650	2,82	AP4 AP4-Q
4.062	30,92	10,20	110,0	132,0	43	50	550	3,89	AP4 AP4-Q
4.063	54,02	17,80	151,0	192,0	68	71	450	6,52	AP6 AP6-Q



C = Dynamic load capacity radial bearing (ISO 281/1), C_O = Static load capacity radial bearing (ISO 76)

C_A = Dynamic load capacity axial bearing (ISO 281/1), C_{OA} = Static load capacity axial bearing (ISO 76)

F_R = Load capacity radial bearing max. allowable force between bearing and profile

F_A = Load capacity axial bearing max. allowable force between bearing and profile